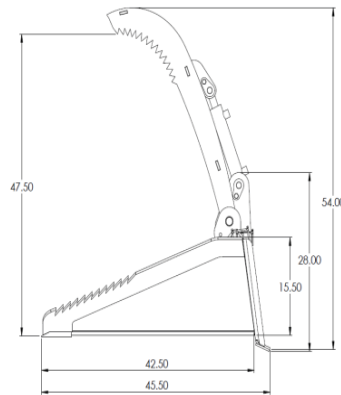


GRAPPLES



Stump Grapple

Model #33032



Many uses including:
 Stump Removal
 Tree Plucking
 Digging Trenches
 Moving Rock
 Loading Logs
 Pulling Posts Out
 and more



Optional Weld on Teeth

Specifications

Overall Width	45"
Overall Height - Closed	28 ¹ / ₄ "
Overall Height - Open	47"
Overall Depth	46"
Grapple Opening	45-1/2"
Bucket Depth	42-1/2"
Bucket Thickness	5/16" Grade 50
Side Cutting Edge	1/2" Grade 50
Wear Bars	1/2" Grade 50
Grapple Arm	1/2" Grade 50 - Laser Cut
Cylinder	2-1/2" x 8" Welded Cross Tube
Hydraulic Couplers	Flat Face
Hydraulic Hoses	3/8"
PSI Max	3,000 PSI
Pivot Points	Grease Zerks
Main Pin	1.5" x 15"
Rear Cylinder Pin	1" x 6"
Front Cylinder Pin	1" x 5 ¹ / ₂ "
Weight	500 lbs.

LEGEND ATTACHMENTS

Our Quality Is “LEGEND”ARY

Skid Steer Stump Grapple

ORDER #	Description	Weight	LIST
LA 33032	Stump Grapple USSM	500	2249.00

- Ideal for Removing Stumps, Trees, Rocks & Digging Trenches



(Shown W/ Optional Weld on Tooth Kit)